

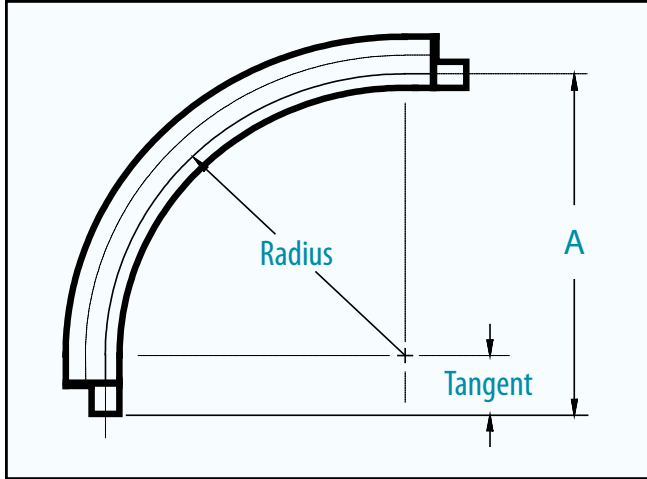


Models 207 & 218

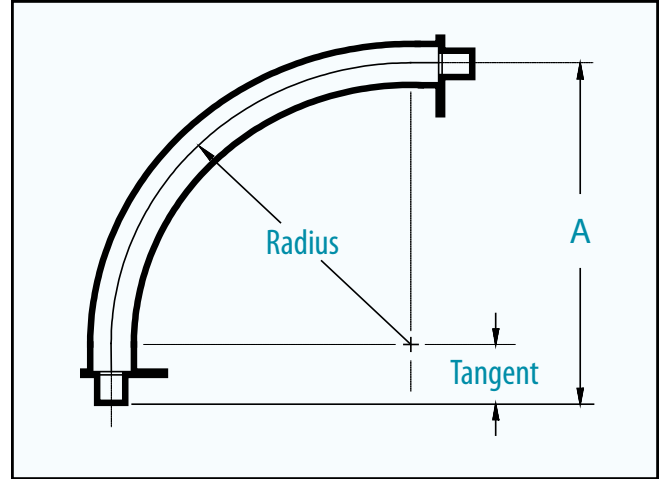
WEAR BACK & TOTAL CERAMIC PIPE BENDS

NOL-TEC long radius bends are available in wear back or total ceramic construction and are ideal for many dense phase pneumatic conveying applications.

MODEL 207 WEAR BACK PIPE BENDS

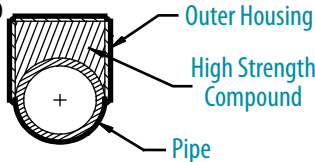


MODEL 218 TOTAL CERAMIC PIPE BENDS



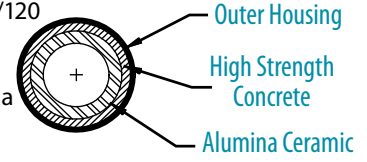
MODEL 207 CONSTRUCTION

- Conveying pipe: A-53/120
- Backing: Compound
- End plates: A-36



MODEL 218 CONSTRUCTION

- Conveying pipe: A-53/120
- Housing: A-513
- Ceramic: 0.75" Alumina
- End plates: A-36



MODEL 207 SPECIFICATIONS

SIZE*	SCHEDULE	RADIUS	TANGENT**	A	WEIGHT
2"	40	30"	12"	42"	127 lbs
2"	80	30"	12"	42"	135 lbs
3"	40	40"	12"	52"	330 lbs
3"	80	40"	12"	52"	352 lbs
4"	40	40"	12"	52"	519 lbs
4"	80	40"	12"	52"	553 lbs
5"	40	48"	12"	60"	485 lbs
5"	80	48"	12"	60"	536 lbs
6"	40	48"	12"	60"	720 lbs
6"	80	48"	12"	60"	796 lbs
8"	40	60"	12"	72"	1,090 lbs
8"	80	60"	12"	72"	1,090 lbs
10"	40	60"	12"	72"	1,525 lbs
10"	80	60"	12"	72"	1,525 lbs

MODEL 218 SPECIFICATIONS

SIZE*	SCHEDULE	RADIUS	TANGENT**	A	WEIGHT
2"	40	30"	12"	42"	175 lbs
2"	80	30"	12"	42"	175 lbs
3"	40	40"	12"	52"	375 lbs
3"	80	40"	12"	52"	375 lbs
4"	40	40"	12"	52"	590 lbs
4"	80	40"	12"	52"	590 lbs
5"	40	48"	12"	60"	550 lbs
5"	80	48"	12"	60"	550 lbs
6"	40	48"	12"	60"	825 lbs
6"	80	48"	12"	60"	825 lbs
8"	40	60"	12"	72"	1,740 lbs
8"	80	60"	12"	72"	1,740 lbs
10"	40	60"	12"	72"	1,850 lbs
10"	80	60"	12"	72"	1,850 lbs

*Available in larger sizes. **Outlet tangent on bend is: • 12" on 46° to 90°
 • 24" on 16° to 45°
 • 36" on 01° to 15°

Specifications subject to change without notice.

Nol-Tec Systems, Inc.

425 Apollo Drive
 Lino Lakes, MN 55014
 (651) 780-8600 • (651) 780-4400 fax
 sales@nol-tec.com • www.nol-tec.com