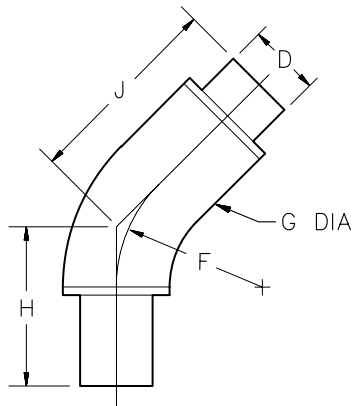
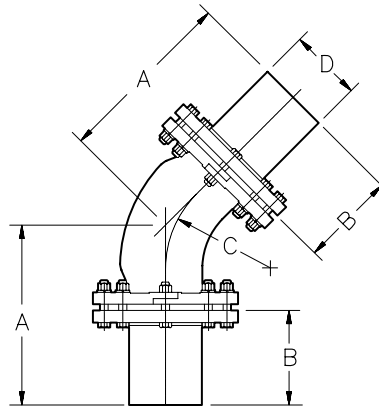


45° ELBOWS

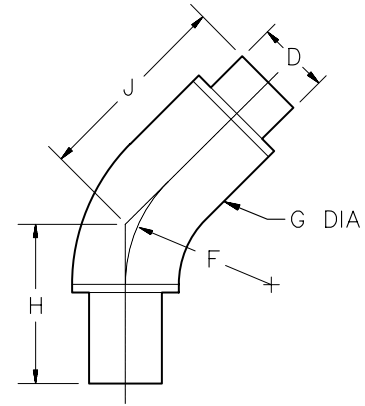
CERAMIC MODEL 306



NI-HARD MODEL 251



MORTAR BACKED MODEL 340



NOMINAL PIPE SIZE

	2"	3"	4"	5"	6"	8"	10"
A	8.88"	9.13"	9.88"	11.13"	10.38"	10.38"	10.88"
B	6.38"	6.13"	5.88"	6.63"	5.38"	4.88"	4.38"
C	3.00"	3.00"	4.25"	4.83"	6.00"	6.63"	7.25"
D	2.38"	3.50"	4.50"	5.56"	6.63"	8.63"	10.75"
E	3.00"	4.50"	6.00"	7.50"	9.00"	12.00"	15.00"
F	6.00"	7.50"	9.00"	12.00"	12.00"	15.00"	18.00"
G	4.50"	5.56"	6.63"	8.63"	8.63"	10.75"	12.75"
H	8.88"	9.13"	9.88"	11.13"	10.38"	10.38"	10.88"
J	10.00"	11.25"	12.50"	14.50"	15.50"	18.50"	20.50"

NOLTEC SHORT RADIUS ELBOWS ARE AVAILABLE IN CERAMIC, NI-HARD, OR MORTAR BACKED CONSTRUCTION, AS WELL AS SCHEDULE 40 OR 80 PIPE. THESE ELBOWS ARE IDEALLY SUITED FOR MANY DENSE PHASE PNEUMATIC CONVEYING APPLICATIONS.

CERAMIC AND MORTAR BACKED STANDARD FEATURES:

- Compact design
- Heavy-duty construction
- Smooth interior
- High abrasion resistant wear surface

OPTIONAL FEATURES:

- Various pipe schedules
- Flanged or grooved pipe connections
- Various angles

NI-HARD STANDARD FEATURES:

- Compact design
- Heavy-duty construction
- Smooth interior
- Abrasion resistant wear surface

OPTIONAL FEATURES:

- Various pipe schedules
- Flanged or grooved pipe connections
- 90° angle

251-306-340-07-03

