



Models 321 & 323 ROUND DUST COLLECTORS

NOL-TEC round dust collectors effectively filter dust laden air created by pneumatic conveying systems or other processes where higher pressures are required.

STANDARD FEATURES:

- Low pressure models designed for up to 17" H₂O
- High pressure models designed for up to 5 PSI
- Heavy-gauge continuous welded construction
- Reinforced housing
- Filter media access door
- Venturi reverse jet cleaning
- Solid state electronic timer
- Cartridge filter media
- Quick-release filter clamps
- Continuous cleaning design
- Bottom grid
- Magnehelic gauge

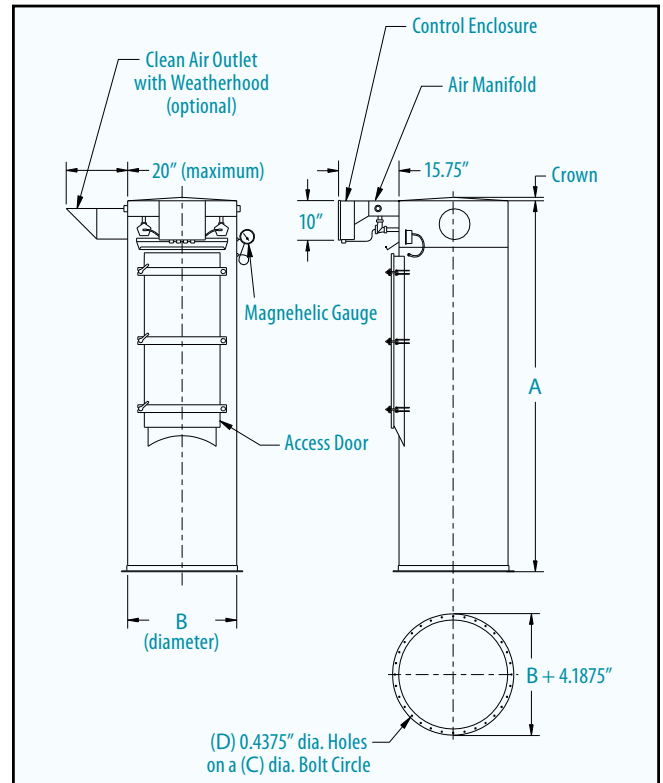
OPTIONAL FEATURES:

- Stainless steel construction
- Variety of filter media materials
- Bag models
- Exhauster
- Second access door
- Hopper bottom
- Bird screen and weatherhood
- Explosion-proof design
- High-temperature design

SPECIFICATIONS:

- **Air:** Clean and dry at correct pressure dew point; 80 PSIG minimum
- **Electrical:** 110-120V; 50/60Hz
- **Temperature:** Timer 40° F - 150° F; Polyester bags 270° F; Polyester cartridge & urethane ends 270° F

ROUND DUST COLLECTORS									
M321 LOW PRESSURE MODEL #	M323 HIGH PRESSURE MODEL #	CART. FILTER AREA	BAG FILTER AREA	A	B	C	D	SCFM @100 PSIG	SHIP WEIGHT (lbs)
36-LPRD-9	36-HPRD-9	180 ft ²	41 ft ²	5'	2.5'	32.5"	28	4.1	375
60-LPRD-9	60-HPRD-9	270 ft ²	68 ft ²	7'	2.5'	32.5"	28	4.5	400
84-LPRD-9	84-HPRD-9	540 ft ²	95 ft ²	9'	2.5'	32.5"	28	5	500
36-LPRD-14	36-HPRD-14	280 ft ²	64 ft ²	5'	3'	38.5"	32	5	450
60-LPRD-14	60-HPRD-14	420 ft ²	105 ft ²	7'	3'	38.5"	32	5.5	500
84-LPRD-14	84-HPRD-14	840 ft ²	147 ft ²	9'	3'	38.5"	32	5.8	600
36-LPRD-18	36-HPRD-18	360 ft ²	81 ft ²	5'	3.5'	44.5"	40	6	550
60-LPRD-18	60-HPRD-18	540 ft ²	135 ft ²	7'	3.5'	44.5"	40	6	600
84-LPRD-18	84-HPRD-18	1,080 ft ²	189 ft ²	9'	3.5'	44.5"	40	6.5	675
36-LPRD-24	36-HPRD-24	480 ft ²	108 ft ²	5'	4'	50.5"	44	6.7	625
60-LPRD-24	60-HPRD-24	720 ft ²	180 ft ²	7'	4'	50.5"	44	6.7	675
84-LPRD-24	84-HPRD-24	1,440 ft ²	252 ft ²	9'	4'	50.5"	44	7	775
36-LPRD-32	36-HPRD-32	640 ft ²	144 ft ²	5'	4.5'	56.5"	52	7.5	700
60-LPRD-32	60-HPRD-32	960 ft ²	240 ft ²	7'	4.5'	56.5"	52	7.5	750
84-LPRD-32	84-HPRD-32	1,920 ft ²	336 ft ²	9'	4.5'	56.5"	52	7.8	875
36-LPRD-38	36-HPRD-38	760 ft ²	171 ft ²	5'	5'	62.5"	56	8	800
60-LPRD-38	60-HPRD-38	1,140 ft ²	285 ft ²	7'	5'	62.5"	56	8	850
84-LPRD-38	84-HPRD-38	2,280 ft ²	399 ft ²	9'	5'	62.5"	56	8.5	975
36-LPRD-46	36-HPRD-46	920 ft ²	207 ft ²	5'	5.5'	68.5"	64	9	875
60-LPRD-46	60-HPRD-46	1,380 ft ²	345 ft ²	7'	5.5'	68.5"	64	9	925
84-LPRD-46	84-HPRD-46	2,760 ft ²	483 ft ²	9'	5.5'	68.5"	64	9.5	1,100
36-LPRD-54	36-HPRD-54	1,080 ft ²	243 ft ²	5'	6'	74.5"	68	10	1,000
60-LPRD-54	60-HPRD-54	1,620 ft ²	405 ft ²	7'	6'	74.5"	68	10.6	1,025
84-LPRD-54	84-HPRD-54	3,240 ft ²	567 ft ²	9'	6'	74.5"	68	11	1,200
60-LPRD-62	60-HPRD-62	1,860 ft ²	465 ft ²	7'	6.5'	80.5"	74	11.5	1,300
84-LPRD-62	84-HPRD-62	3,720 ft ²	882 ft ²	9'	6.5'	80.5"	74	12	1,600
60-LPRD-70	60-HPRD-70	2,100 ft ²	525 ft ²	7'	6.5'	80.5"	72	13.5	2,400
84-LPRD-70	84-HPRD-70	4,200 ft ²	735 ft ²	9'	6.5'	80.5"	72	14	2,650
60-LPRD-86	60-HPRD-86	2,580 ft ²	645 ft ²	7'	7.5'	93"	80	15	2,600
84-LPRD-86	84-HPRD-86	5,160 ft ²	903 ft ²	9'	7.5'	93"	80	15.5	2,800
60-LPRD-99	60-HPRD-99	2,970 ft ²	742 ft ²	7'	8'	99"	88	15	2,700
84-LPRD-99	84-HPRD-99	5,940 ft ²	1,040 ft ²	9'	8'	99"	88	15.5	3,200



Specifications subject to change without notice.

Nol-Tec Systems, Inc.
 425 Apollo Drive
 Lino Lakes, MN 55014
 (651) 780-8600 • (651) 780-4400 fax
 sales@nol-tec.com • www.nol-tec.com