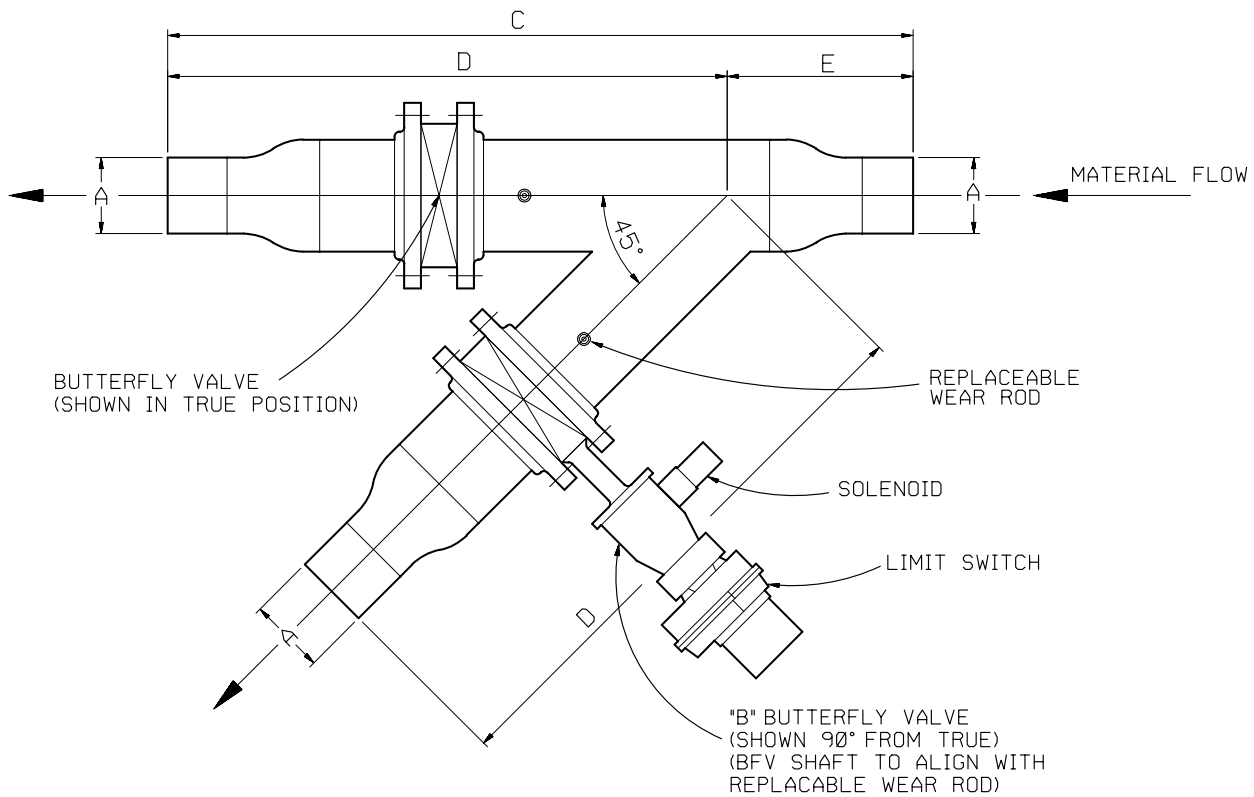


# TWO WAY, 45° SWITCH

DIVERGING DESIGN  
MODEL 326



SIZE	A	B	C	D	E
2	2 <sup>3</sup> / <sub>8</sub> "	3"	29 <sup>3</sup> / <sub>4</sub> "	21 <sup>3</sup> / <sub>4</sub> "	8"
3	3 <sup>1</sup> / <sub>2</sub> "	4"	33 <sup>1</sup> / <sub>4</sub> "	24 <sup>1</sup> / <sub>4</sub> "	9"
4	4 <sup>1</sup> / <sub>2</sub> "	5"	38 <sup>5</sup> / <sub>8</sub> "	28 <sup>1</sup> / <sub>8</sub> "	10 <sup>1</sup> / <sub>2</sub> "
5	5 <sup>9</sup> / <sub>16</sub> "	6"	41 <sup>3</sup> / <sub>8</sub> "	30 <sup>3</sup> / <sub>8</sub> "	11"
6	6 <sup>5</sup> / <sub>8</sub> "	8"	47"	35"	12"
8	8 <sup>5</sup> / <sub>8</sub> "	10"	53 <sup>1</sup> / <sub>4</sub> "	39 <sup>1</sup> / <sub>4</sub> "	14"
10	10 <sup>3</sup> / <sub>4</sub> "	12"	60"	45"	15"

## STANDARD FEATURES:

- Schedule 40 pipe construction.
- Limit switches to indicate position.
- Convey line pressure 90 PSI.
- Lines not to open outside environment during switching.
- Full vacuum.
- Switching on the fly.

## OPTIONAL FEATURES:

- Stainless product contact.
- Temperature application to 400°F.
- Wear resistant construction.
- Flanged connection.
- Converging design.
- Explosion proof.
- 220V, 24V.
- Stainless construction.