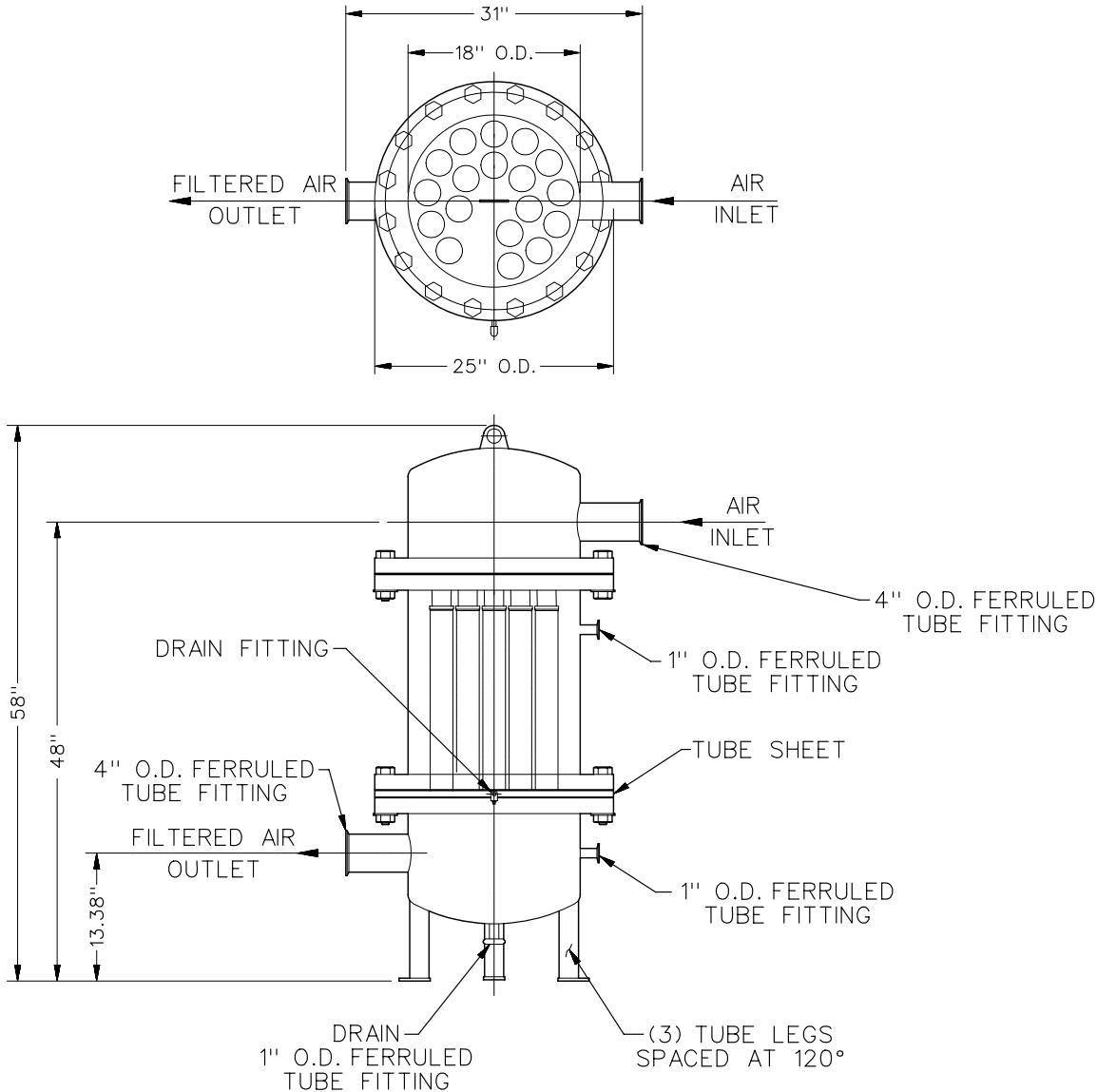


USDA AIR FILTER

MODEL 381



THE **NOLTEC** USDA AIR FILTER IS DESIGNED TO FILTER AND PASS THE COMPRESSED AIR REQUIRED FOR DAIRY DRY PNEUMATIC CONVEYING OR BLENDING APPLICATIONS. UNIT CONFORMS TO PRACTICES UNDER 3-A, NUMBER 604-XX

STANDARD FEATURES:

- 1200 SCFM at 25 PSIG inlet pressure
- 304 SS construction
- Ra32 surface on clean air side, downstream of filter elements
- 18 Filter elements
- 4" Ferruled inlet and outlet
- Upper chamber drain

OPTIONAL FEATURES:

- Pressure differential monitor
- Automatic upper chamber drain
- Sterile air with Ra32 discharge.

SPECIFICATIONS:

- Design pressure: 125 PSIG
- Design temperature: -20°F. to 125°F.
- Prefiltered, oil free air per 604-XX D4/D5
- Weight - 915 lbs

CODES:

- A.S.M.E. Section VIII Div 1 with National board registration
- 3-A Number 604-XX

