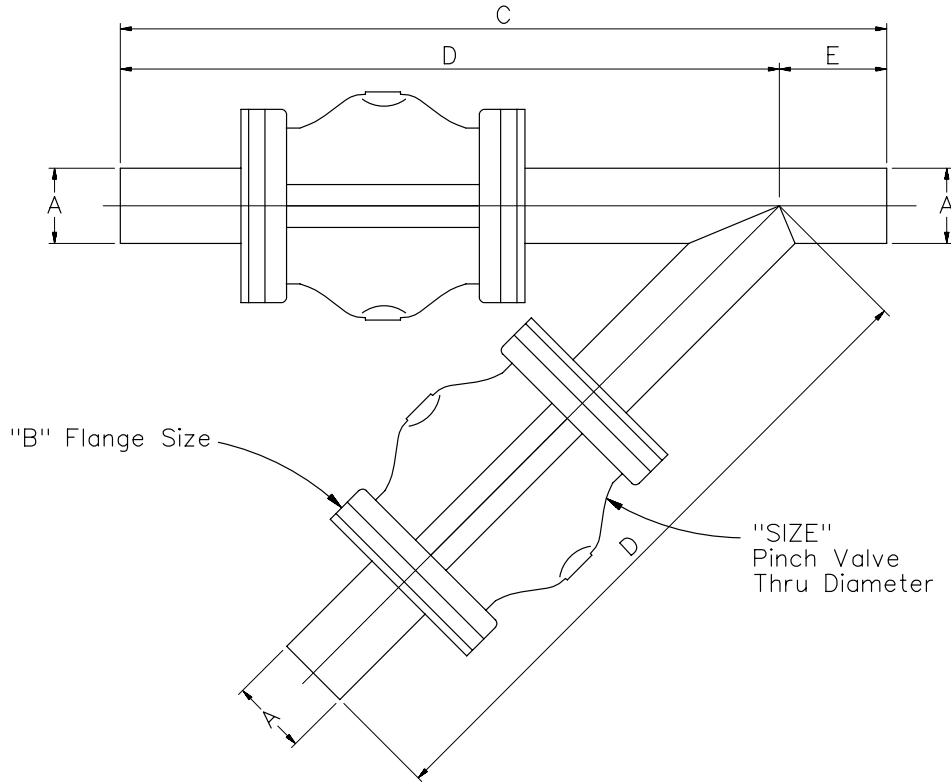


TWO WAY, 45° SWITCH

CONVERGING\DIVERGING DESIGN
MODEL 403



STANDARD DUTY

| SIZE | A | B | C | D | E | PSI |
|------|----------------------------------|-----|----------------------------------|----------------------------------|----|-----|
| 2 | 2 ³ / ₈ " | 2" | 28 ¹ / ₄ " | 23 ¹ / ₄ " | 5" | 150 |
| 3 | 3 ¹ / ₂ " | 3" | 23 ¹ / ₂ " | 28 ¹ / ₄ " | 5" | 150 |
| 4 | 4 ¹ / ₂ " | 4" | 36 ³ / ₄ " | 30 ³ / ₄ " | 6" | 150 |
| 5 | 5 ⁹ / ₁₆ " | 5" | 43 ¹ / ₂ " | 37 ¹ / ₂ " | 6" | 150 |
| 6 | 6 ⁵ / ₈ " | 6" | 48 ³ / ₄ " | 42 ³ / ₄ " | 6" | 125 |
| 8 | 8 ⁵ / ₈ " | 8" | 54 ¹ / ₂ " | 47 ¹ / ₂ " | 7" | 100 |
| 10 | 10 ³ / ₄ " | 10" | 58 ³ / ₄ " | 51 ³ / ₄ " | 7" | 100 |

HEAVY DUTY

| SIZE | A | B | C | D | E | PSI |
|------|----------------------------------|-----|----------------------------------|----------------------------------|----|-----|
| 2 | 2 ³ / ₈ " | 3" | 33 ¹ / ₂ " | 28 ¹ / ₂ " | 5" | 150 |
| 3 | 3 ¹ / ₂ " | 4" | 35 ³ / ₄ " | 30 ³ / ₄ " | 5" | 150 |
| 4 | 4 ¹ / ₂ " | 5" | 43 ¹ / ₂ " | 37 ¹ / ₂ " | 6" | 150 |
| 5 | 5 ⁹ / ₁₆ " | 6" | 48 ³ / ₄ " | 42 ¹ / ₂ " | 6" | 150 |
| 6 | 6 ⁵ / ₈ " | 8" | 53 ¹ / ₂ " | 47 ¹ / ₂ " | 6" | 125 |
| 8 | 8 ⁵ / ₈ " | 10" | 58 ³ / ₄ " | 51 ³ / ₄ " | 7" | 100 |
| 10 | 10 ³ / ₄ " | 12" | 64" | 57" | 7" | 100 |

STANDARD FEATURES:

- "SIZE" is thru Hole Diameter of Valve.
- "PSI" is Max Casting Pressure.
- Gum Rubber Elastomer.
- Temperature -50° to 180° F.
- Schedule 40 Pipe Adapter & Lateral.
- Pinch Valve Style is RV.
- Pressure Indicator.

OPTIONAL FEATURES:

- Stainless product contact.
- Variety of Elastomers.
- Food Grade construction.
- Temperature up to 400° F.

OPTIONAL FEATURES: (continued)

- Wear Resistant Construction.
- Fail Safe Controls.
- Quick Open Controls.
- Vacuum Controls.
- Other Valve Manufacturers.
- Other End Connection.
- Purged Off-Leg.

SPECIFICATIONS:

- Clean and Dry at Correct Pressure Dew Point.
- 100 PSIG for 60PSI Convey Pressure.

403-05-06



Specifications subject to change without notice.

5.055.SALE.01.18.07.01